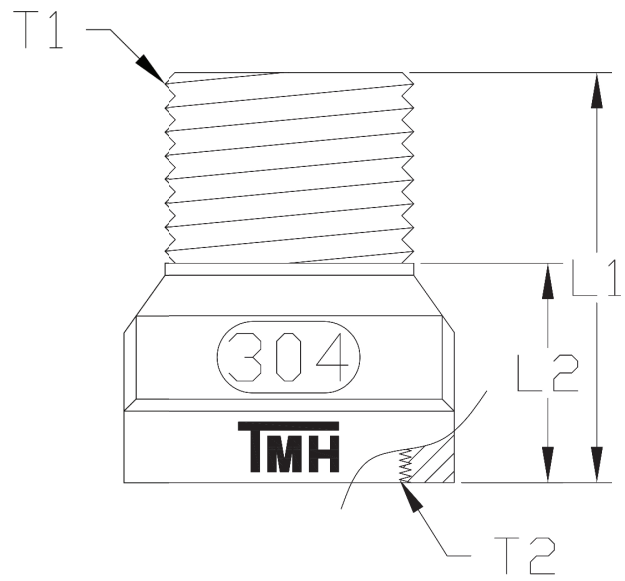


304/316 Stainless Steel Fitting



304/316 Reducer M/F

Specification	Model No.	L1	L2	Thread-BSPT.1	Thread-BSPT.2		
1/2	AD52044	34.1	19.5	21	18.6		
3/4	AD52066	36	21.5	26.4	24.1		
1"	AD52110	40	22	33.3	30.3		

