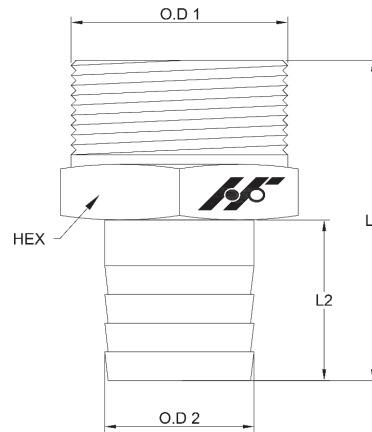
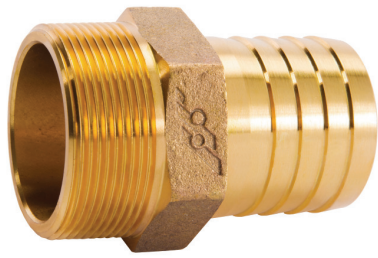


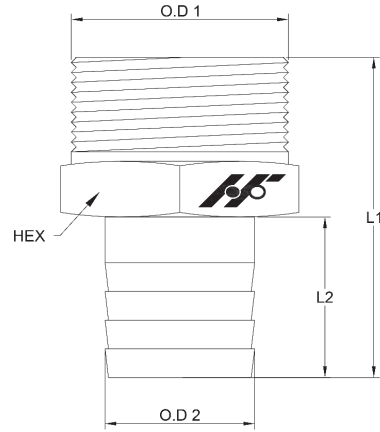
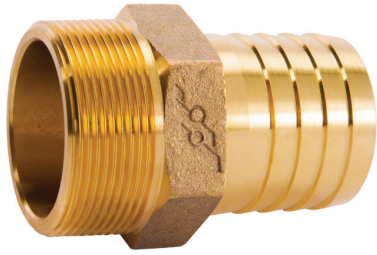
## Male & Barbed Fitting-1

Specification	Model No.	O.D 2	L1	L2	HEX	Thread-BSPT	
1/8" * 1/4"	CE30012	7	32	20	10	9.7	
1/8" * 5/16"	CE30012-5	9	32	20	10	9.7	
1/8" * 3/8"	CE30013	10.5	32	20.4	11	9.7	
1/8" * 1/2"	CE30014	13.5	33	20.4	14	9.7	
1/4" * 1/4"	CE30022	7	35.9	20.6	17	13.2	
1/4" 5/16"	CE30022-5	9	35	20.4	14	13.2	
1/4" * 3/8"	CE30023	10.5	35	20.4	14	13.2	
1/4" * 1/2"	CE30024	13.5	35	20	14	13.2	
1/4" * 5/8"	CE30025	17.5	40	23.4	17	13.2	
3/8" * 1/4"	CE30032	7	35.9	20.4	17	16.7	
3/8" * 3/8"	CE30033	10.5	36	20.4	17	16.7	
3/8" * 1/2"	CE30034	13.5	36	20	17	16.7	
3/8" * 5/8"	CE30035	17.5	36	20	17	16.7	
3/8" * 3/4"	CE30036	20.6	39.2	22	21	16.7	



## Male & Barbed Fitting-2

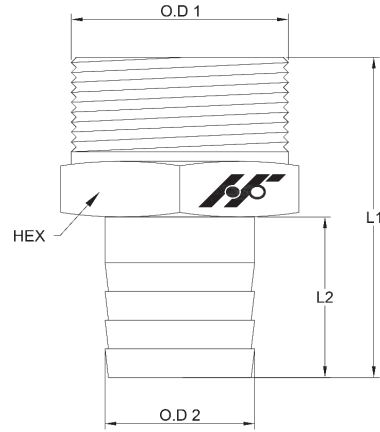
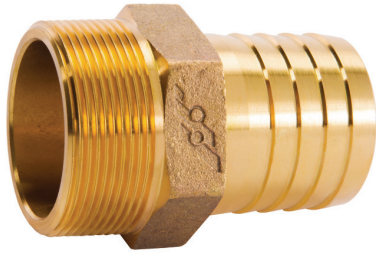
Specification	Model No.	O.D 2	L1	L2	HEX	Thread-BSPT	
1/2" * 1/4"	CE30042	7	38	20.4	20.7	21	
1/2" * 5/16"	CE30042-5	9	38	20	21	21	
1/2" * 3/8"	CE30043	10.5	38	20.4	20.7	21	
1/2" * 1/2"	CE30044	13.5	54	32.5	22	21	
1/2" * 5/8"	CE30045	17.5	54	32.3	22	21	
1/2" * 3/4"	CE30046	20.6	54	32.4	22	21	
3/4" * 3/8"	CE0063	10.5	41	20.5	27	26.4	
3/4" * 1/2"	CE30064	13.5	54	33.8	28	26.4	
3/4" * 5/8"	CE30065	17.5	52.4	28.5	28	26.4	
3/4" * 3/4"	CE30066	20.6	55	32.5	28	26.4	
3/4" * 1"	CE30068	26.4	63	37.3	28	26.4	
1" * 3/4"	CE31006	20.6	59	32.3	34	33.3	
1" * 1"	CE31010	26.4	63	37.3	34	33.3	
1" * 1-1/4"	CE31012	33.3	65.3	34.8	35	33.3	



## Male & Barbed Fitting-3

Specification	Model No.	O.D 2	L1	L2	HEX	Thread-BSPT	
1" *1-1/2"	CE31014	38.7	82.9	52.3	42.3	33.3	
1-1/4" *1"	CE31012	26.4	78	45	44	41.9	
1-1/4" *1-1/4"	CE31212	33.3	77.3	45	44	41.9	
1-1/4" *1-1/2"	CE31012	38.7	77.3	45	44	41.9	
1-1/2" *1-1/4"	CE31412	33.3	22	36.2	52.5	47.8	
1-1/2" *1-1/2"	CE31414	38.7	74	38	52.8	47.8	
1-1/2" *2"	CE31420	51.7	86	49	52.8	47.8	
2" *1"	CE32010	26.4	74	38	27.2	59.6	
2" *1-1/2"	CE32014	38.7	81.5	43	27.2	59.6	
2" *2"	CE32020	51.7	92.4	49	60	59.6	
2" *2-1/2"	CE32024	63.7	104	63	60	59.6	
2-1/2" *2-1/2"	CE32424	63.7	72.5	62.5	77.5	75.2	
3" *2-1/2"	CE33024	63.7	106.8	56.5	90	87.9	
3" *3"	CE33030	77	112.5	62.3	91	87.9	

# Bronze/Brass Pipe Fitting



## Male & Barbed Fitting-4

Specification	Model No.	O.D 2	L1	L2	HEX	Thread-BSPT	
4" *3"	CE34030	77	125.6	65	116	133	
4" *4"	CE34040	104	137	79	114.5	133	
5" *4"	CE65040	104	146	82	142	139.8	
5" *5"	CE35050	127.9	145	80	142	139.8	

